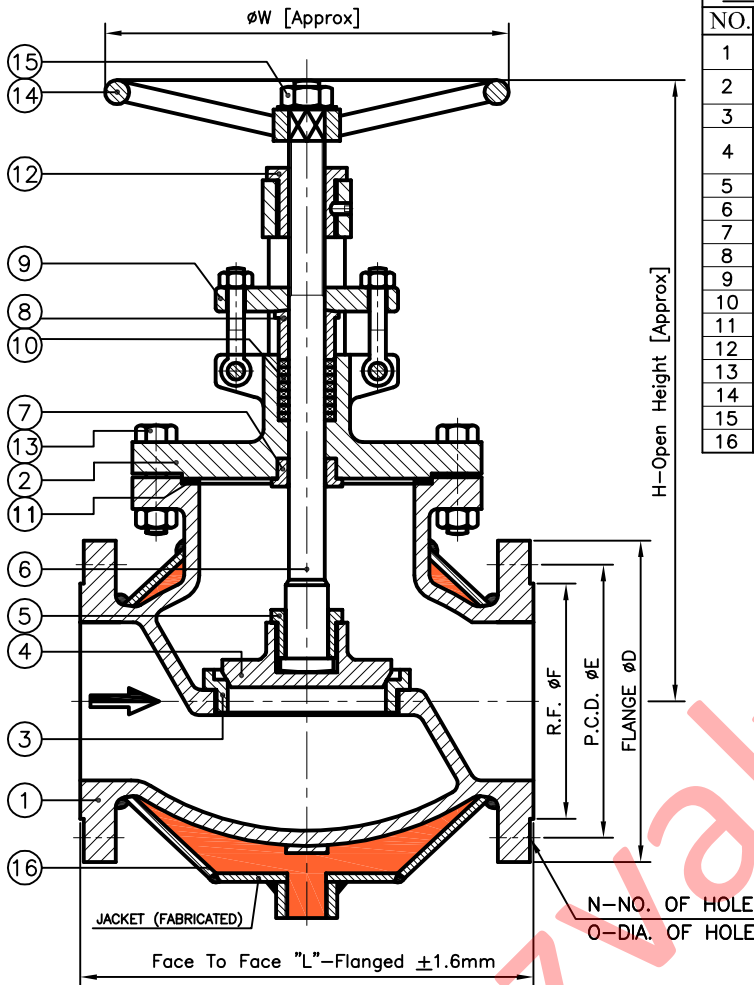


Nivz Valves & Automation

Jacketed Globe Valve, Flanged End

DRG. No.: JKGL15/30

00
Rev. No.



Nomenclature:-

NO.	PART NAME	MATERIAL
1	Body	CAST IRON/ASTM A 216 GR. WCB
2	Bonnet	ASTM A 351 GR. CF 8/8M
3	Seat Ring	ASTM A 351 GR. CN 7M
4	Disc	CA 15/AISI 410/304/316/ALLOY 20
5	Disc Nut	AISI 410/304/316/ALLOY 20
6	Stem	AISI 410/304/316/ALLOY 20
7	Back Seat Bush	AISI 410/304/316/ALLOY 20
8	Gland Bush	AISI 410/304/316/ALLOY 20
9	Gland Flange	C.S./S.S.
10	Gland Packing	Grafoil/P.T.F.E Impregnated Asbestos
11	Gasket	CAF/Sp. Wound with P.T.F.E./CAF/Grafoil
12	Yoke Bush	C.S./A 439 GR. D2/Ph. Bronze
13	Bonnet Bolt & Nut	C.S./A193 GR. B7/2H/S.S. 304/316
14	Hand Wheel	Cast Iron/Carbon Steel/Ductile Iron
15	Wheel Nut	C.S./A194 GR. 2H/S.S. 304/316
16	Jacket (Welded)	M.S./S.S. 304/316 (FABRICATED)



Pressure Rating : 150 #/300#
 End Connection : Flanged End
 Flange Drilling : ANSI B 16.5 150/300#
 Face To Face : ANSI B 16.10

Design Standard : BS 1873/ASME B 16.34

Dimensions [150 Class]

SIZE	25	40	50	65	80	100	125	150	200	250	300
L	127	165	203	216	241	292	356	406	495	623	699
øD	108	127	152.4	177.8	190.5	228.6	254	279	343	406	483
øE	79.3	98.4	120.6	139.7	152.4	190.5	215.9	241.3	298.4	362.0	431.8
øF	50.8	73	92.1	104.7	127.0	157.2	185.6	215.9	269.9	323.8	381
N	4	4	4	4	4	8	8	8	8	12	12
øO	15.8	15.8	19	19	19	19	22.2	22.2	22.2	25.4	25.4
H	230	285	335	355	380	432	485	520	610	675	950
øW	125	178	178	240	240	240	340	340	470	470	510

Dimensions [300 Class]

SIZE	50	65	80	100	125	150	200	250	300
L	267	292	317	356	400	445	559	623	711
øD	165.1	190.5	209.5	254	279.4	317.5	381	444.5	520.7
øE	127	149.3	168.1	200.1	235	269.7	330.2	387.3	450.7
øF	92.1	104.7	127.0	157.2	185.6	215.9	269.9	323.8	381
N	8	8	8	8	8	12	12	16	16
øO	19	22.2	22.2	22.2	22.2	22.2	25.4	28.4	31.7
H	325	425	485	520	565	655	825	920	1155
øW	203	254	300	300	350	350	500	610	700

All Dimensions Are In mm

FEATURES

- * Deep Stuffing Box
- * Gland Seal Design With Lantern Ring Option
- * Graphite Ring Ensures Effective Stem Sealing
- * Self Aligning Two Piece Gland
- * Hardened Back Sheet For Max. Service Life
- * Seat, Disc & Back Seat Stellite [Optional]

Testing Standard : BS 6755-I

Test	Hydrostatic					
	150#			300#		
Pr. Rating	C.I.		C.S./S.S.		C.S./S.S.	
MOC	215	14.7	15	425	29.3	30
Body	142	9.8	10	300	20.7	21
Seat	142	9.8	10	300	20.7	21
Back Seat	142	9.8	10	300	20.7	21



VALVES & AUTOMATION
www.nivzvalves.com

Client _____
 Order / Enq. No. _____
 Job / Project _____
 Manufactured By : **Nivz Valves & Automation**, Ahmedabad, Gujarat, INDIA.

Do Not Copy Drawing

©COPYRIGHT

Due to continuous development programme, the design and data given in this leaflet are subject to change without prior notice

Appd. _____

Chkd. _____

Drwn. _____

For Record

For Reference

For Approval