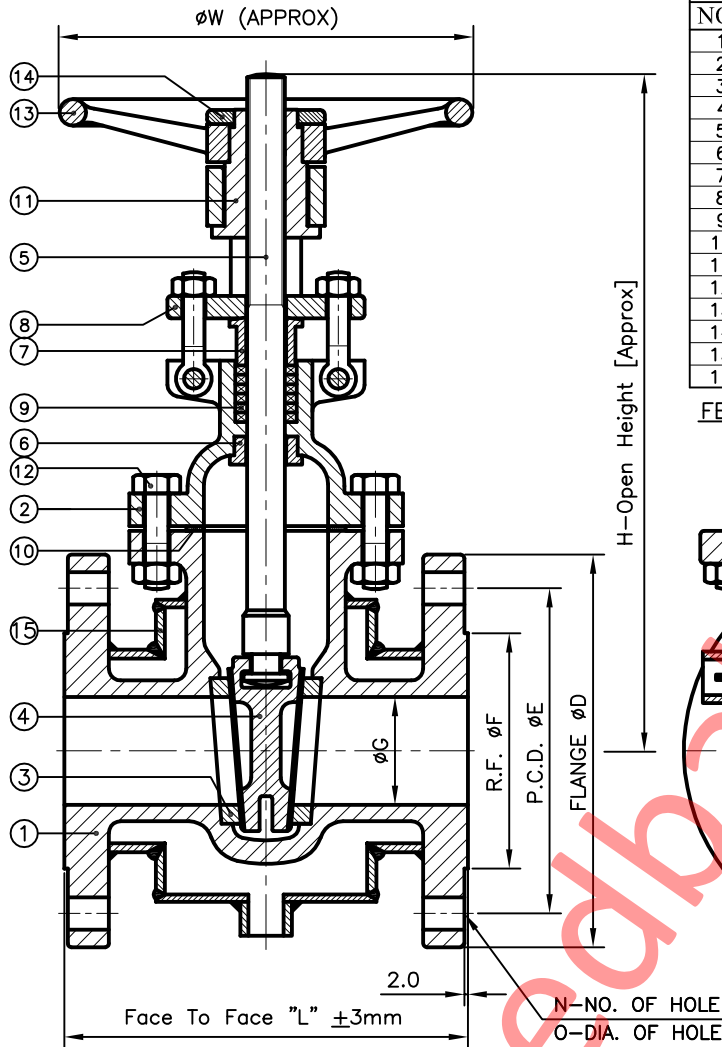


Nivz Valves & Automation

Full Jacketd Gate Valve, Rising Stem

DRG. No.: JKGT15/30

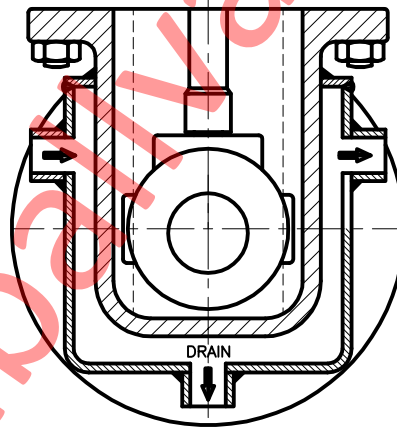
00
Rev. No.



Nomenclature:-

NO.	PART NAME	MATERIAL
1	Body	A 216 GR. WCB/
2	Bonnet	A 351 GR. CF 8/CF8M/CF/3/3M/CN7M
3	Seat	A 276 T-410/304/316/304L/316L
4	Wedge (Gate)	WCB+13% CR. FACE/CF 8/8M/3/3M/CA15
5	Stem	A 276 T-410/304/316/304L/316L
6	Back Seat Bush	A 276 T-410/304/316/304L/316L
7	Gland Bush	A 276 T-410/304/316/304L/316L
8	Gland Flange	A105/C.S./S.S. 304/316/304L/316L
9	Gland Packing	GRAFOIL/P.T.F.E.
10	Gasket	CAF/GRAPHITE ASBESTOS/SP. WOUND
11	Yoke Sleeve	C.S.
12	Bonnet Bolt & Nut	C.S./B7/2H/S.S. 304/316/304L/316L
13	Hand Wheel	DUCTILE IRON
14	Hand Wheel Nut	C.S.
15	Jacket (Fabricated)	C.S./S.S. 304/316
16	Jacket Connection	BSP/NPT COUPLING/FLANGE

FEATURES: Size 8" & Above Yoke Provided on Bonnet



Testing Standard : API 598

Test Pressure in PSIG/BAR/KG./CM²

Test	Hydrostatic		
Pr. Rating	150#		
MOC	C.S./S.S.		
Body	425	29.3	30
Seat	300	20.7	21
Back Seat	300	20.7	21
Jacket	145	9.8	10

Pressure Rating : 150 #
End Connection : Flanged End, RF
Flange Drilling : ANSI B 16.5 150
Face To Face : ANSI B 16.10

FEATURES

- * Deep Stuffing Box
- * Gland Seal Design With Lantern Ring Option
- * Graphite Ring Ensures Effective Stem Sealing
- * Self Aligning Two Piece Gland
- * Hardened Back Sheet For Max. Service Life
- * Seat, Wedge & Back Seat Stellite [Optional]

Design Standard : API 600

Dimensions [150 Class]

Size	mm	80x50	100x80	125x100	150x125	200x150	250x200	300x250
Inch		3"x2"	4"x3"	5"x4"	6"x5"	8"x6"	10"x8"	12"x10"
L		177.8	203.2	228.6	254.0	266.7	292.1	330.0
ØG		50	75	100	125	150	200	250
Drilling Details								
ØD		190.5	228.6	254.0	279.0	342.9	406.4	482.6
ØE		152.4	190.5	215.9	241.3	298.4	361.9	431.8
ØF		127.0	157.2	185.7	215.9	269.9	323.8	323.8
N		4	8	8	8	8	12	12
ØO		19	19	22.2	22.2	22.2	25.4	25.4
H		485	520	685	725	1000	1250	1385
ØW		255	300	350	350	425	425	510

All Dimensions Are In mm



VALVES & AUTOMATION
www.nivzvalves.com

Client _____
Order / Enq. No. _____
Job / Project _____
Manufactured By : **Nivz Valves & Automation**, Ahmedabad, Gujarat, INDIA.

Do Not Copy Drawing
©COPYRIGHT

Due to continuous development programme, the design and data given in this leaflet are subject to change without prior notice

Appd. _____

Chkd. _____

Drwn. _____

For Record

For Reference

For Approval